

CREATED BY PHYSICIAN FOR TX COLLEAGUES

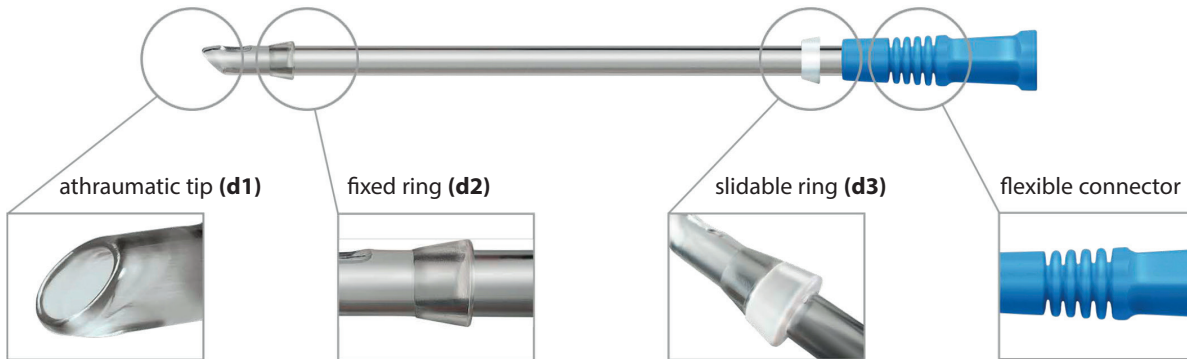
MEDICAL DEVICES FOR PROFESSIONAL USER



SINGLE-USE, STERILE DISPOSABLE PRODUCT

Full range of perfusion cannulas – from adjustable multiorgan procurement cannulas, back table kidney perfusion adapter to small size procurement cannulas and custom made versions.

OUR CANNULAS



Product name	Catalog number (REF)	Drain length (mm)	Drain size (d1) (F)	Fixed ring (d2) / Perfusion basked (F)	Slidable ring (d3) (F)	Anti-bend connector colour
Cannula for organ perfusion 8F	KP8-14	305	8	14	—	DARK BLUE
	KP8-14-K (short)	175				
Cannula for organ perfusion 10F	KP10-16	305	10	16	—	BLACK
	KP10-16-K (short)	175				
Cannula for organ perfusion 12F	KP12-19	305	12	19	—	TRANSPARENT
	KP12-19-K (short)	175				
Cannula for organ perfusion 16F	KP16-22-26	305	16	22	26	ORANGE
	KP16-22-K (short)	115			—	
Cannula for organ perfusion 20F	KP20-28-32	305	20	28	32	YELLOW
	KP20-28-K (short)	115			—	
Cannula for organ perfusion 25F	KP25-34-40	305	25	34	40	BLUE
	KP25-34-K (short)	115			—	ORANGE
	KP25-34-K-B (short, bent)	95,5			—	BLUE
Cannula for organ perfusion – back table adapter	KP16-32A (adapter)	130	16	Taper size (F)		ORANGE
				32		

PRODUCT APPLICABILITY

Cannula for organ perfusion, regardless of their type – that is their length and size (diameter) – are intended for flushing and replacing residual blood in donor organs (with organ-protecting & preserving fluids, during the process of organs preparation for transplantations), using the force of gravity or using mechanical perfusion devices.

The perfusion adapter is intended for removal of perfusion fluid residues in organs.

The manufacturer does not assume different applications of the product, other than those described above.

The cannulas are sterile, non-toxic and apyrogenic products. Prior to use, the physician shall individually determine the type of the cannula, its size, shape and length, as needed.

20 YEARS WITH POLISH TRANSPLANT PHYSICIANS — **OVER 15** YEARS OF WORLDWIDE COOPERATION WITH TX PHYSICIANS

“Since we provide all kinds of solutions for organ perfusion and preservation we kindly encourage you to check, order and test other products from our offer. Put your trust in our expertise and ensure high efficiency of transplantation process while reducing the procedure costs. We are proud that we offer innovative products for your convenience. Feel free to visit our www.carnamedica.com web page and contact us anytime you need.”

Paweł Szczudło MD – Owner

CREATED BY PHYSICIAN FOR TX COLLEAGUES

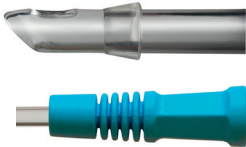
MEDICAL DEVICES FOR PROFESSIONAL USER



OUR PROCUREMENT CANNULA RANGE

FIXED SIZE

8F



10F



12F



BACK TABLE FLUSH

BACK TABLE PERFUSION ADAPTER



each pack contains 10 pcs

ADJUSTABLE SIZE

16F (adjustable to 18F)



20F (adjustable to 28F)



25F (adjustable to 34F)



Kaniula do perfuzji narządów
Cannula for organ perfusion

8F



CE
2274

Cannula for organ perfusion

KP8-14

LOT

20230429

REF

2026-04-29

KP8-14

DOCUMENTATION STICKER

POSSIBLE RISKS AND COMPLICATIONS

The cannula is a surgical, invasive product introduced to the arterial system of the donor, requiring precautions during its use. In the course of the procedure the following complications may be experienced: Leaks at the suture securing against slipping, damage to the inner wall of the organ vessel, organ's vessel perforation, organ vessel delamination, organ vessel's vasospasm or damage to the artery being cannulated.



Carnamedica Sp. z o.o. | Olszynki Grochowskiej 21 str. apt. U6 | zip code: 04-281 Warsaw | T: +48 608 336 159 | Fax: +48 22/ 307 81 13 | www.carnamedica.com
NIP: 1132911058 | REGON: 364578040
District Court for the capital city of Warsaw, XIII Commercial Division of the National Court Register (KRS) | KRS n°: 0000620496 | BDO: 000444991