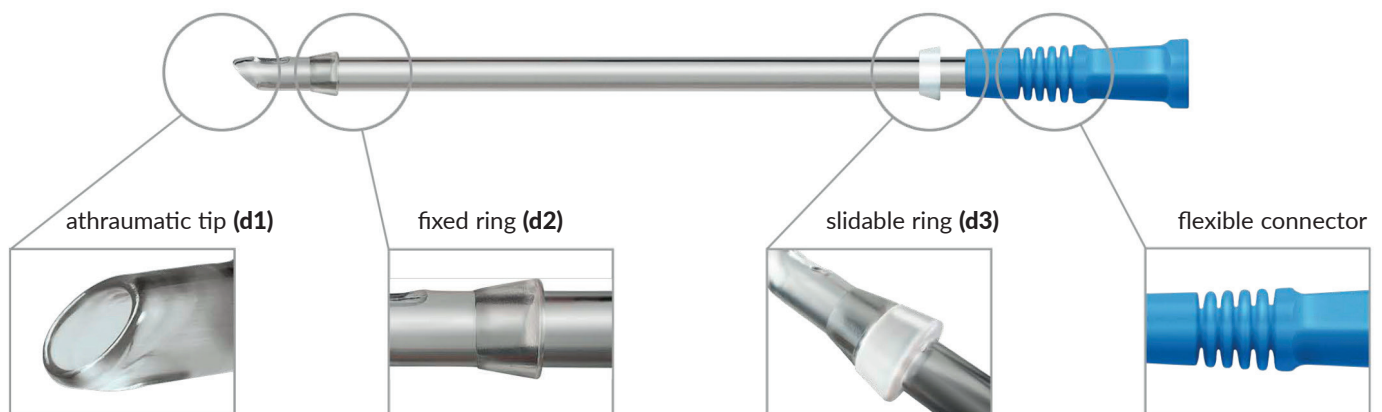


Full range of perfusion cannulas – from adjustable multiorgan procurement cannulas, back table kidney perfusion adapter to small size liver procurement cannulas and custom made versions.

## OUR CANNULAS



Cannula size	d1 mm (F)	d2 mm (F)	d3 mm (F)
8F	2.7 (8F)	4.7 (14F)	—
10F	3.3 (10F)	5.3 (16F)	—
12F	4.0 (12F)	6.3 (19F)	—
16F	5.3 (16F)	7.3 (22F)	8.7 (26F)
20F	6.7 (20F)	9.3 (28F)	10.7 (32F)
25F	8.3 (25F)	11.3 (34F)	13.3 (40F)

## 14 YEARS WITH POLISH TRANSPLANT PHYSICIANS

## 14 YEARS OF EXCITEMENT AND FASCINATION

Since we provide all kinds of solutions for organ perfusion and preservation we kindly encourage you to check, order and test other products from our offer. Put your trust in our expertise and ensure high efficiency of transplantation process while reducing the procedure costs. We are proud that we offer innovative products for your convenience. Feel free to visit our [www.carnamedica.com](http://www.carnamedica.com) web page and contact us anytime you need."

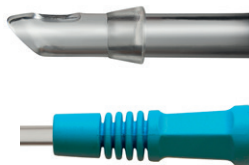
Paweł Szczudło MD – Owner

## OUR PROCUREMENT CANNULA RANGE

### LIVER

each pack contains 10 pcs

**8F**



**10F**



**12F**



### KIDNEY

#### BACK TABLE PERFUSION ADAPTER



each pack contains 10 pcs

### MULTIORGAN PROCUREMENT

each pack contains 10 pcs

**16F** (adjustable to 18F)



**20F** (adjustable to 28F)



**25F** (adjustable to 34F)



Kaniula do perfuzji narządów  
Cannula for organ perfusion

**8F**

Wyrób przeznaczony wyłącznie do perfuzji narządów w procesie przygotowania do transplantacji. The device is intended to be used only for organ perfusion within preparation process for transplantation.

Ver. KP/2020/01/31

CE  
2274

MD 5°C - 45°C STERILE EO

5 906874 879405

Carnamedica Sp. z o.o.  
ul. Olszynki Grochowskiej 21 lok.U6  
04-281 Warszawa Polska  
www.carnamedica.com  
email: office@carnamedica.com  
Tel (+48) 608336159

2020-01-28

Cannula for organ perfusion  
8F

LOT 20200128

2023-01-28

REF KP8-14

(01) 5 9068748 79405 2 (17) 200303 (10) 20200128

Documentation sticker